



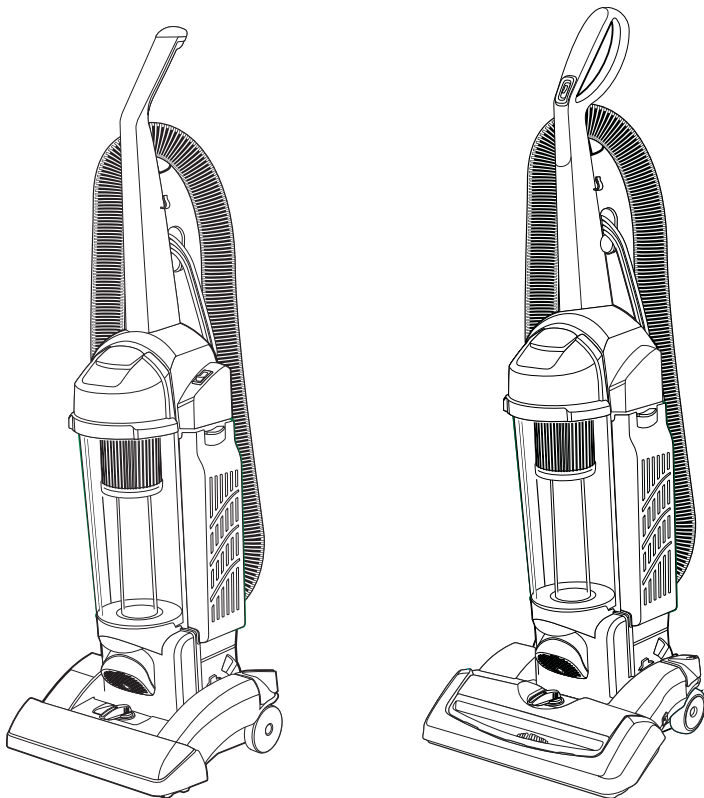
# Upright Vacuum Cleaner

## OWNER'S GUIDE

Household Type

5740-5799 Series

5840-5898 Series



### IMPORTANT

Do not return this product to the store.

For assembly problems or questions **contact:** Eureka's Customer Service Division toll free at 1-800-282-2886\*, 8 a.m. to 7:30 p.m., (CST), Monday - Friday and 10 a.m. to 6:30 p.m. Saturday.

For replacement of broken or missing items to be shipped direct to you, call 1-800-438-7352\*, 8 a.m. to 4:45 p.m., (CST), Monday - Friday.

To order replacement parts and accessories call 1-800-438-7352\*, 8 a.m. to 4:45 p.m., (CST), Monday - Friday or visit our web site, [www.eureka.com](http://www.eureka.com).

\*En Mexico llame al 5670-6169.

### Index

Important Information ...	2
Assemble .....	4
Use .....	5
Accessories .....	5
Dust Cup .....	6
Filter .....	7
Brush Roll .....	8
Brush Roll Belt .....	8
How to Remove	
Blockages .....	9
Warranty .....	10

### Please Retain

We suggest you record the model, type and serial numbers below. They are located on the silver rating plate on your cleaner. For prompt and complete service information, always refer to these numbers when inquiring about service.

Model & Type \_\_\_\_\_

Serial No. \_\_\_\_\_

It is also important to keep your receipt as proof of date of purchase.

## IMPORTANT SAFEGUARDS

When using an electrical appliance, basic precautions should always be followed, including the following:

### READ ALL INSTRUCTIONS BEFORE USING THIS VACUUM CLEANER.

## WARNING

To reduce the risk of fire, electric shock, or injury:

- Do not use outdoors or on wet surfaces.
- **Do not leave vacuum cleaner when plugged in.** Turn off the switch and unplug the electrical cord when not in use and before servicing.
- Do not allow to be used as a toy. Close attention is necessary when used by or near children.
- Use only as described in this manual. Use only manufacturer's recommended attachments.
- Do not use with damaged cord or plug. If vacuum cleaner is not working as it should, has been dropped, damaged, left outdoors, or dropped into water, return it to a service center before using.
- Do not pull or carry by cord, use cord as a handle, close a door on cord, or pull cord around sharp edges or corners. Do not run vacuum cleaner over cord. Keep cord away from heated surfaces.
- Do not use extension cords or outlets with inadequate current carrying capacity.
- Turn off all controls before unplugging.
- Do not unplug by pulling on cord. To unplug, grasp the plug, not the cord.
- Do not handle plug or vacuum cleaner with wet hands.
- Do not put any object into openings. Do not use with any opening blocked; keep free of dust, lint, hair, and anything that may reduce airflow.
- This vacuum cleaner creates suction and contains a revolving brush roll. Keep hair, loose clothing, fingers, and all parts of body away from openings and moving parts.
- Do not place cleaner on furniture or stairs as the brush roll may cause damage. Place cleaner on floor with the handle in storage position while using attachments.
- Do not pick up anything that is burning or smoking, such as cigarettes, matches, or hot ashes.
- Do not use without dust cup or filter(s) in place.
- Belt pulleys can become hot during normal use. To prevent burns, avoid touching the belt pulley when servicing the drive belt.
- Use extra care when cleaning on stairs.
- Do not use to pick up flammable or combustible liquids such as gasoline, or use in areas where they may be present.
- Store your cleaner indoors in a cool, dry area.
- Keep your work area well lighted.
- Unplug electrical appliances before vacuuming them.
- Unplug before connecting turbo nozzle, model 26.

## SAVE THESE INSTRUCTIONS

**To reduce the risk of electric shock**, this appliance has a polarized plug (one blade is wider than the other). This plug will fit in a polarized outlet only one way. If the plug does not fit fully into the outlet, reverse the plug. If it still does not fit, contact a qualified electrician to install the proper outlet. Do not change the plug in any way.

## GENERAL INFORMATION

Use the cleaner to pick up dirt and dust particles. Avoid picking up hard or sharp objects that could damage the vacuum cleaner.

## Service Information

The instructions in this booklet serve as a guide to routine maintenance. For additional service information, telephone our toll free number for the nearest Eureka Authorized Warranty Station. **You should know the model, type and serial number or date code when you call:**

**USA: 1-800-282-2886    Mexico: 5670-6169**  
**Canada: 1-800-282-2886**

If you prefer, you can write to The Eureka Company, Service Division, 807 North Main St., Bloomington, Illinois 61701, USA. In Canada, write to The Eureka Company, 866 Langa Drive, Cambridge, Ontario N3H 2N7. Refer to The Eureka Warranty for complete service information



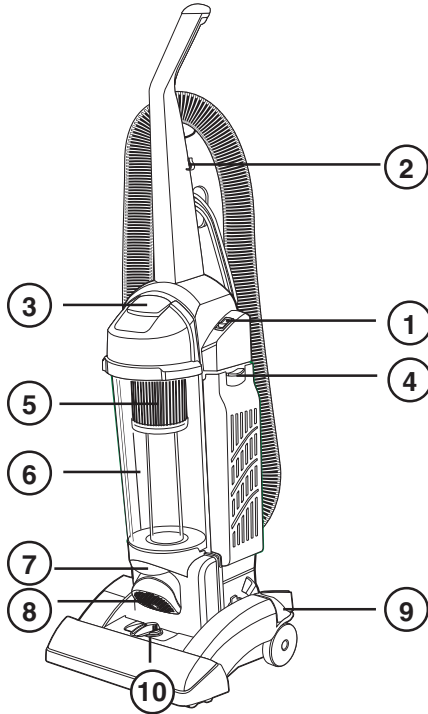
**DO NOT OIL the motor or the brush roll. The motor and brush roll are permanently sealed and lubricated.**

## Thermal Cut Off

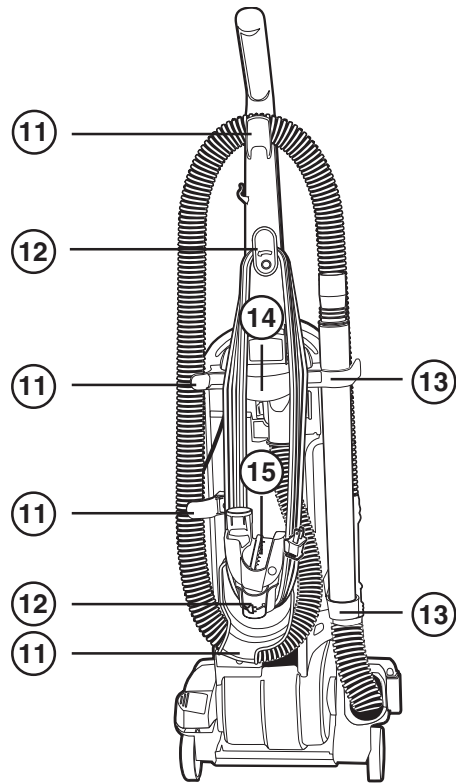
This vacuum cleaner has a special thermostat that protects the cleaner in case of motor overheating. If the cleaner suddenly shuts off, push the on/off switch off (O) and unplug the cleaner. Check the cleaner for a possible source of overheating such as a full dust cup, a blocked hose or clogged filter. If these conditions are found, fix them and wait at least 30 minutes before attempting to use the cleaner. After the 30 minute period, plug the cleaner back in and push the on/off switch on (I). If the cleaner still does not run, then take it to a Eureka Authorized Service Center for repair.

## QUICK REFERENCE

**WARNING:** Avoid injury. Keep loose clothing, hair, fingers, and all other parts of body away from any moving part (such as the revolving brush). Turn off the switch and unplug the cleaner before changing the cleaner height setting.



1. **ON/OFF Switch.** International symbol **I** means On, International symbol **O** means Off.
2. **Cord Retainer.** To use, push electrical cord down into cord retainer.
3. **Dust Cup Latch.** Pull up on latch to remove dust cup giving access to the dust cup filter and motor filter.
4. **Filter Door Latch.** Push down on latch and pivot out for access to the filter compartment. Push up on latch to close door.
5. **Dust Cup Filter.** Clean the dust cup filter frequently to maintain good performance.
6. **Dust Cup.** The debris from cleaning is collected in the dust cup.
7. **Stair Handle.** To use when cleaning stairs.
8. **Headlight.**
9. **Handle Release.** Step on handle release to pull handle back to a comfortable operating position.
10. **Cleaner Height Setting.** An adjustment that raises or lowers the cleaner base to match the type of floor surface.



11. **Hose Retainers (4).** Place hose in retainers to store hose on unit.
12. **Electrical Cord Hooks (2).** Wrap electrical cord around them to store electrical cord on unit. The upper cord hook rotates for quick cord release.
13. **Nested Wand Storage.** The crevice wand stores inside the larger wand.
14. **Carrying Handle.** Use this handle to carry unit from one place to another.
15. **Dusting/Upholstery Brush Storage.** Store the dusting brush on back of cleaner.

**NOTE: WHEN UNIT IS RUNNING, DO NOT ATTEMPT TO REMOVE ANY OBJECT WHICH PREVENTS THE BRUSH ROLL FROM TURNING.**

**First, turn off unit, unplug from the electrical socket, then remove object from brush roll area. Ex: sock, rug, etc.**

### Helpful Information:

**Listen** to your cleaner. If you notice a change in the sound of the motor or a change in performance, it could simply indicate a common usage or maintenance issue. Such as, a need to raise or lower the carpet height adjustment, possible blockage in hose or brush roll area, or a broken or loose brush roll belt. These are all easy to fix and the instructions are included in this owner's guide. Becoming familiar with the information in this guide will help you to get the best possible performance from your new cleaner for many years to come.

## HOW TO ASSEMBLE

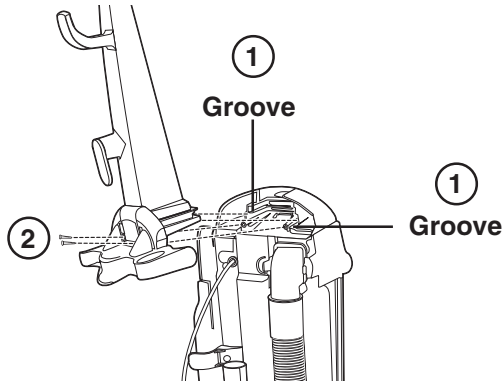
**CAUTION:** Assemble the cleaner before using.

**CAUTION:** Moving parts, make sure on/off switch is in off (0) position before plugging in.

**NOTE:** Features may vary by model yet all parts assemble the same.

### Attach Handle

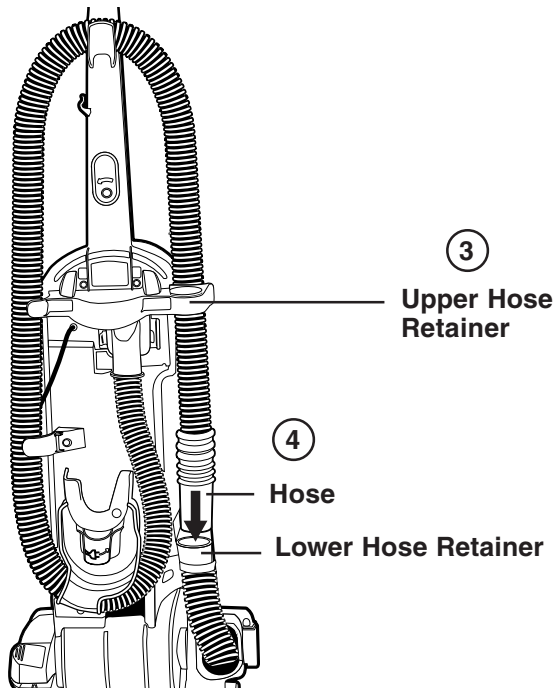
**CAUTION:** Do not catch cord under handle.



1. From rear of cleaner, align handle with groove and slide onto cleaner. If necessary, use thumb and finger pressure to slide handle into position.
2. Attach handle with the two 1 inch screws provided in the assembly packet. Use a Phillips® head screwdriver.

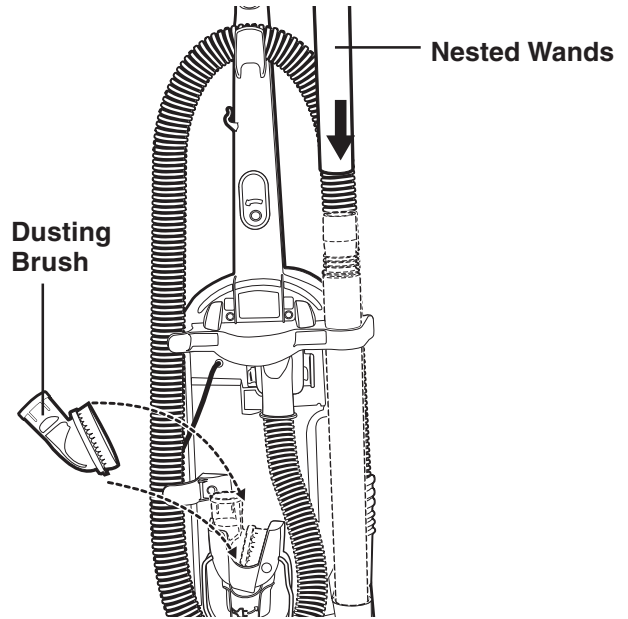
**NOTE:** Hand tighten with screwdriver to be sure both screws are firmly seated.

### Attach Hose

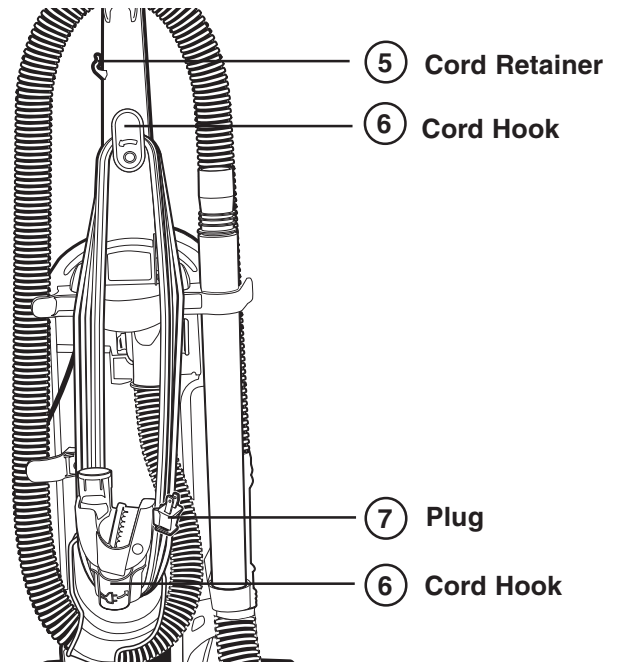


3. Pick up hose and lay across upper hose retainer.
4. Push the end of the hose in the lower hose retainer to secure.

### Store Hose and Accessories

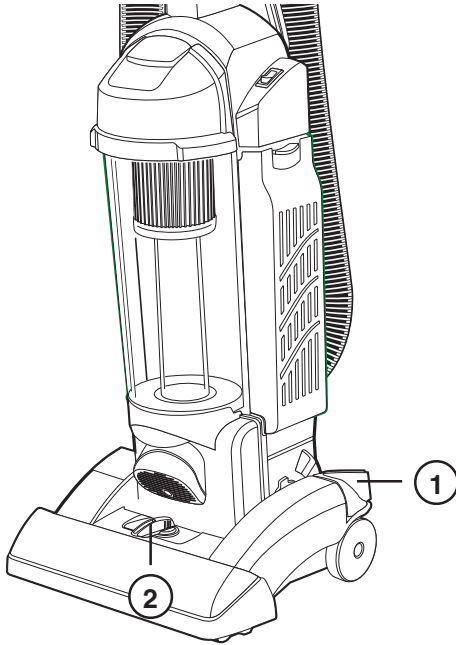


### Store Electrical Cord

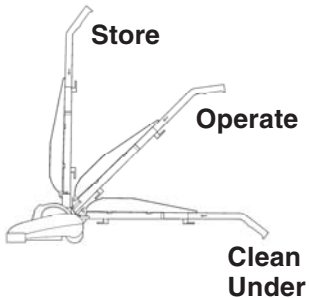


5. You will find your cord retainer on the handle above the upper cord hook. Firmly push the electrical cord down into the cord retainer. This will place the cord out of the way the next time you vacuum.
6. Next wind the cord around the two cord hooks on the back side of cleaner.
7. Secure the plug to the cord to prevent unwinding.

# HOW TO USE



1. **Handle Release.** Step on handle release to pull handle back to a comfortable operating position. To lower handle completely to the floor, depress handle release a second time.



### Helpful Information:

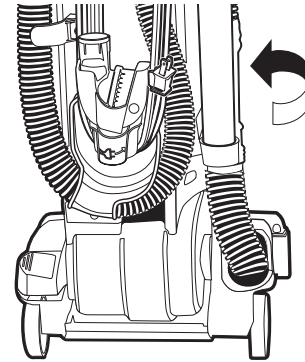
Before cleaning under low furniture, check area first for objects that might harm the unit or block the vacuum hose.

2. **Cleaner Height Setting.** An adjustment that raises or lowers the cleaner base to match the type of floor surface. With the cleaner cord unplugged, set the adjustment to lowest setting for maximum carpet cleaning. **If the cleaner is difficult to push, move adjustment to next highest setting until cleaner is comfortable to push.** The brush roll must reach the carpet for effective cleaning. For ease in moving the adjustment knob, place handle in operating position and tilt cleaner back to remove weight from front wheels.

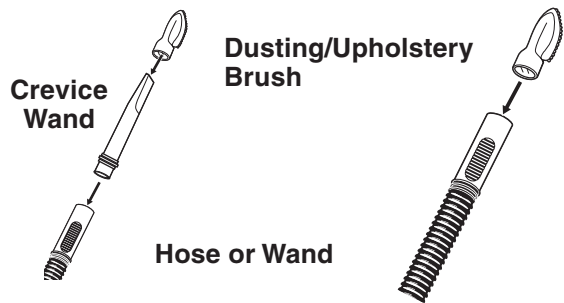
**WARNING: Avoid injury. Keep loose clothing, hair, fingers, and all other parts of body away from any moving part (such as the revolving brush). Turn off the switch and unplug the cleaner before changing the vacuum cleaner height.**

**NOTE: While using accessories, do not place cleaner on furniture or steps as the brush roll may cause damage. Place cleaner on floor with the handle in storage position.**

1. To use accessories remove hose from rear of cleaner by lifting up and twisting.



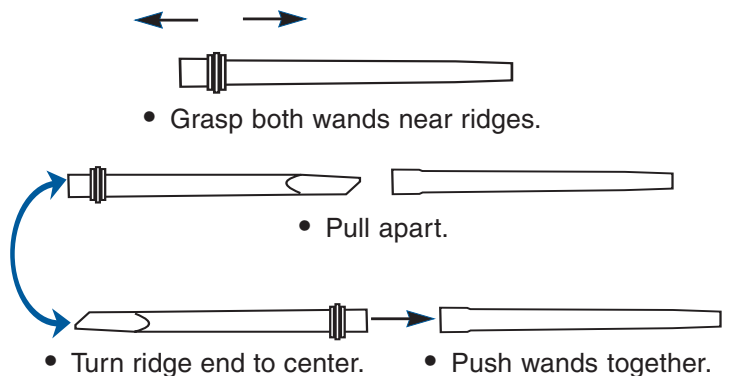
2. Place desired accessory onto end of hose or wand.



**Dusting/Upholstery Brush** is for furniture, blinds, books, lamp shades, shelves, curtains, draperies, cushions and fabrics.

**Crevice Wand** cleans corners, stairs, baseboards, and between cushions.

**Nested extension wands** to add reach.



## ROUTINE MAINTENANCE

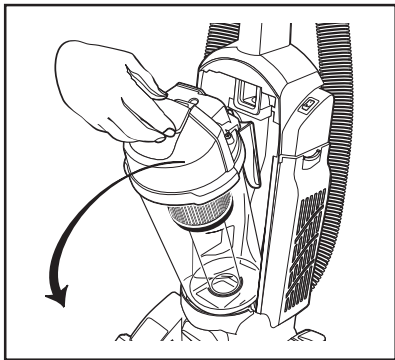
The instructions in this booklet serve as a guide to routine maintenance. To avoid unnecessary service calls, check the dust cup, filters, belt, and brush roll often. We suggest emptying the dust cup after every use.

**NOTE:** When vacuuming carpet fresheners or cleaners, powder, plaster dust, or similar fine substances, the dust cup and filters will require more frequent maintenance.

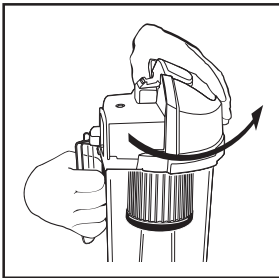
**NOTE:** Turn off the switch and unplug the electrical cord before changing the filter. Never operate the vacuum cleaner without the dust cup or filter assembly in place.

### Emptying the Dust Cup:

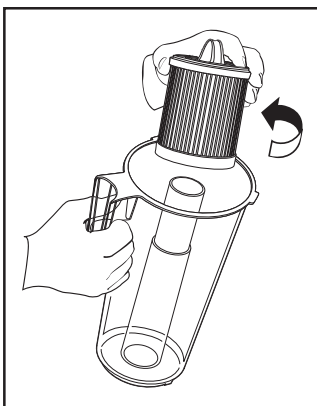
1. Remove dust cup by pulling latch upward and pivoting dust cup out and away from cleaner.



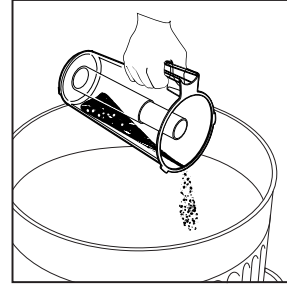
2. Grasp dust cup lid and twist counterclockwise to remove.



3. Lift filter up and out of dust cup with a twisting motion.



4. Dump debris in a waste container.



**Check and clean the filter frequently to maintain good performance.**

### Instructions to Clean or Change Dust Cup Filter, Style DCF3

#### To clean the Filter, Dust Cup and Dust Cup Lid:

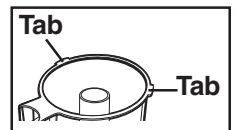
1. To remove debris, tap filter against waste container and/or brush with dusting brush accessory tool. You may also vacuum the filter using a different cleaner.
2. If filter needs further cleaning, wash in warm water using a mild detergent. To clean between filter pleats, fan open under running water.
3. If dust cup needs cleaning, wash in warm water using a mild detergent. **Do not submerge dust cup lid, wipe only with a damp cloth.**
4. **When all parts are completely dry**, replace filter in dust cup and replace lid.

**NOTE:** These parts are not dishwasher safe.

**NOTE:** Your dust cup filter may need to be replaced if cleaning it does not restore cleaning performance.

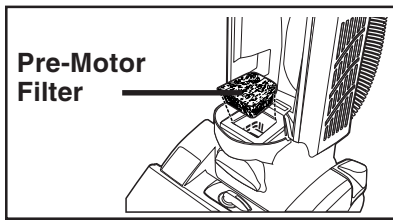
### Reinstalling the Dust Cup:

1. Replace filter onto center tube in dust cup applying gentle pressure.
2. Line up tabs on dust cup with openings on lid, rotate lid clockwise while applying pressure to secure. The lock symbol (Ⓔ) on lid will be centered over dust cup handle when properly assembled.



3. To replace dust cup, position dust cup with handle facing inside the dust cup compartment; place bottom of dust cup in bottom of compartment and rotate upward, pushing dust cup against cleaner until it locks into place.

## ROUTINE MAINTENANCE (continued)



### Pre-Motor Filter

Check the pre-motor filter each time the dust cup is emptied. Clean or replace as needed.

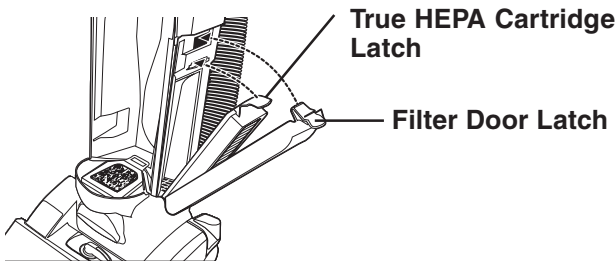
### To Clean Pre-Motor Filter

1. Remove filter centered in the bottom of the dust cup compartment.
2. Shake filter to remove excess dust. If necessary, the filter can be cleaned by vacuuming with another cleaner or washing with mild detergent.
3. Reinstall filter after completely dry.

Use **GENUINE EUREKA** replacement pre-motor filter, Part No. 71480.

### Models equipped with Cartridge Filter (Only cartridge style filters can be used with these models.)

Check the True HEPA filter each time dust cup is emptied. Replace twice a year or as needed.



### To remove True HEPA cartridge filter

1. Push down on filter door latch and pull door away from cleaner.
2. Push down on HEPA cartridge latch and remove filter.

### To replace True HEPA cartridge filter

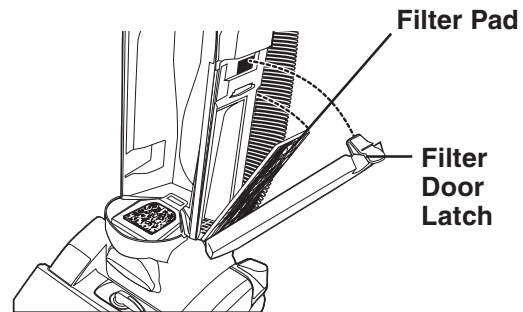
1. Place bottom tabs of filter cartridge into slots. Rotate filter toward cleaner, press firmly against cleaner to latch. **Make sure True HEPA cartridge latch is secured on both sides.**
2. Replace filter door by placing tabs of door into slots on cleaner. Rotate door up and against cleaner until it locks into place.

**NOTE:** To have the benefit of a sealed True HEPA system, you must use one of the True HEPA cartridge filter systems.

Use **GENUINE EUREKA** replacement True HEPA filter, HF5.

### Models equipped with Filter Pads

Check the filter pad each time the dust cup is emptied. Replace twice a year or as needed.



### To remove Filter Pad from filter door

1. Push down on filter door latch and pull door away from cleaner.
2. Lift filter pad up and out of filter door. Dispose of old filter pad.

### To replace Filter Pad into filter door

1. Place new filter pad in filter door.
2. Replace filter door by placing tabs of door into slots on cleaner. Rotate door up and against cleaner until it locks into place.

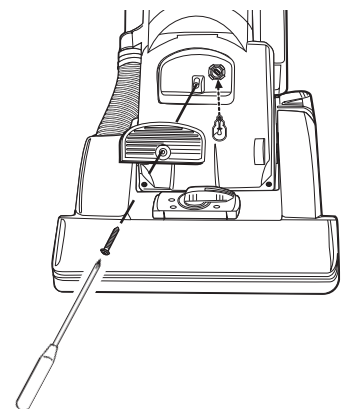
Use **GENUINE EUREKA** replacement HEPA filter, HF6.

## PERIODIC MAINTENANCE

### How To Change Light Bulb (Only for models with a headlight)

**NOTE:** Turn off the power switch and disconnect the electrical cord before changing light bulb.

1. Lower handle. Remove the screw from lens cover.
2. Pull lens cover from cleaner.
3. Pull old light bulb out of socket.
4. Push new light bulb into socket.
5. Replace lens cover.
6. Secure with screw.



Use **GENUINE EUREKA** replacement light bulb, Part No. 57940-2.

## PERIODIC MAINTENANCE (CONTINUED)

### Brush Roll

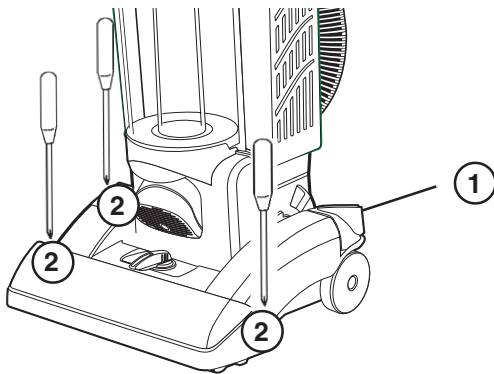
The brush roll turns as it sweeps and combs the carpet nap. Remove hair and threads from the brush roll so it continues brushing the carpet. To maintain the most efficient cleaning, the bristles must touch the carpet. To test the bristle length, hold a ruler against the underneath side of the cleaner. If the bristles no longer touch the ruler, replace the brush roll.

### Brush Roll Belt, Style U

The brush roll belt turns the brush roll to agitate, sweep, and comb the carpet nap. Check the belt regularly to be sure it is in good condition. Replace the belt if it stretches, cracks or loses tension. Cut away any hair or threads wound around the brush roll or the belt pulley because the buildup could cause the belt to rotate unevenly.

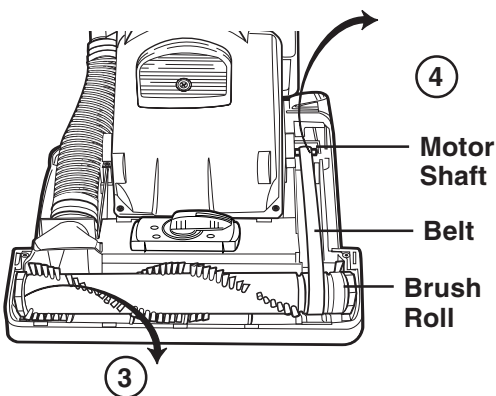
### How To Replace Brush Roll Belt

**NOTE:** Turn off the switch and unplug the electrical cord before replacing belt. Belt pulleys can become hot during normal use. To prevent injury, avoid touching the motor shaft when changing the belt.

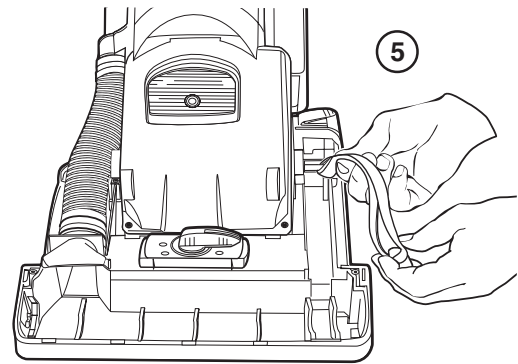


1. Lower handle to floor to change belt.
2. Remove three screws indicated by screwdrivers in above illustration. Lift hood to remove.

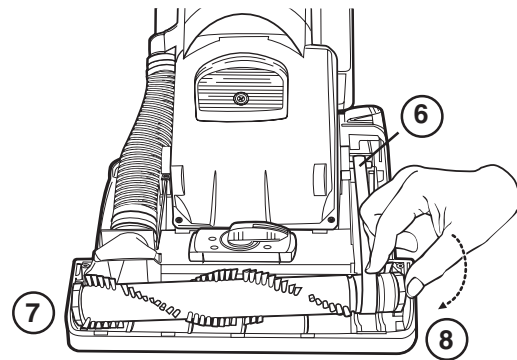
**NOTE:** The carpet height adjustment has to be in the lowest or highest position to remove or reinstall the hood.



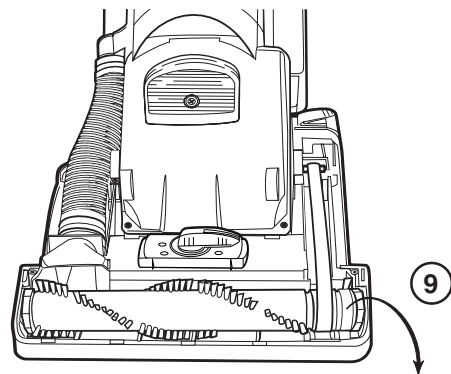
3. Lift left end of brush roll.
4. Remove and discard belt.



5. Place new belt around motor shaft.



6. Place belt around brush roll pulley.
7. Align left end cap with base. Push end cap securely into place.
8. Pull right side of brush roll to stretch belt. Secure right end cap into base.



### IMPORTANT

**9. Rotate brush roll by hand two full rotations to properly position belt.**

10. Place hood back on cleaner. Make sure hood front is behind furniture guard. Replace three screws.
11. Tighten screws.

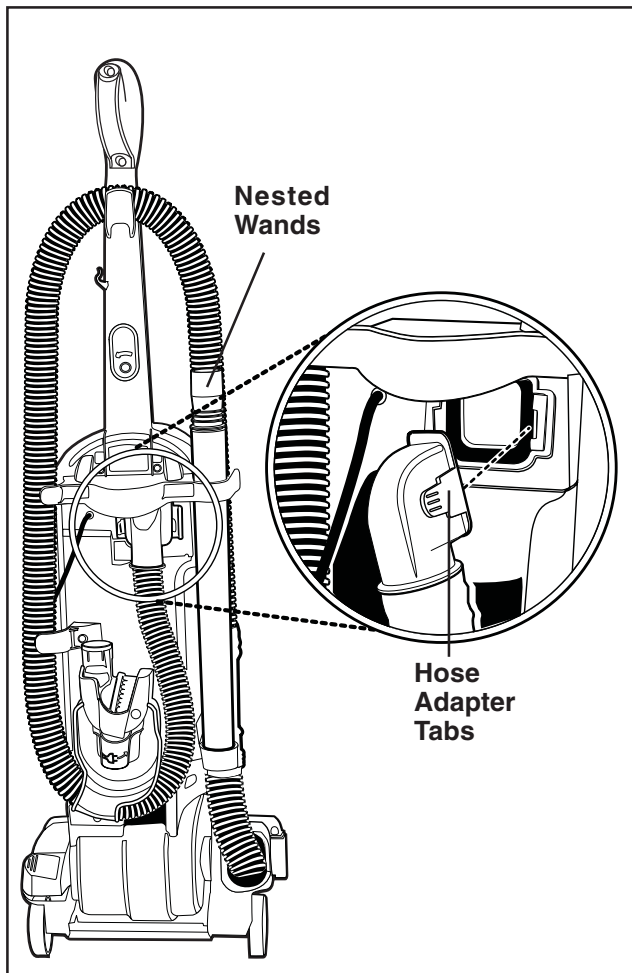
**Use GENUINE EUREKA replacement belt, Style U. Look for the GENUINE EUREKA product symbol.**



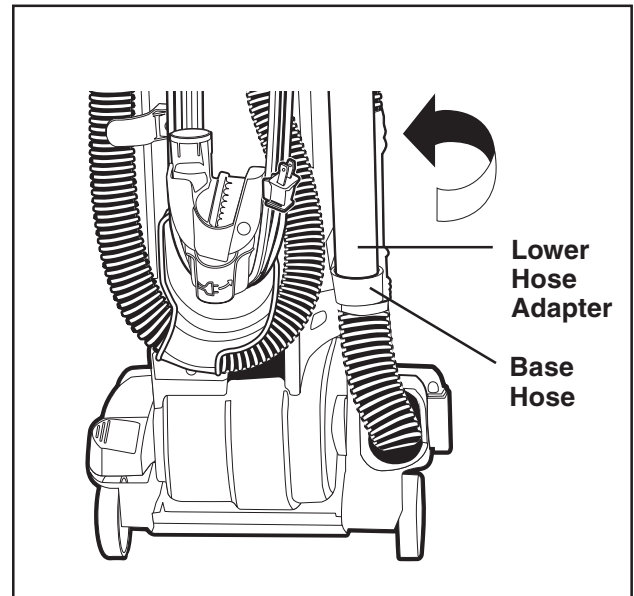
## Problem Solving

### To Clear Blockages in Hose

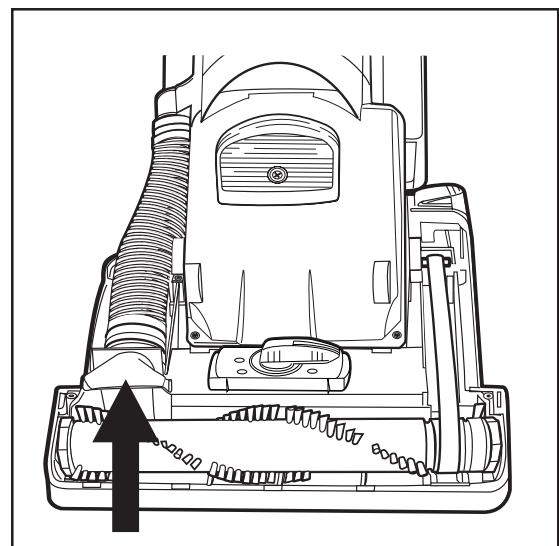
NOTE: Turn off the switch and unplug the electrical cord before clearing hose.



1. Locate upper hose adapter on the back of the cleaner.
2. Remove nested wands from back of cleaner for easy access to hose adapter tabs.
3. Press hose adapter tabs together and pull hose adapter away from cleaner. The hose adapter will unscrew off hose for easy access to debris if necessary.
4. Check for blockages at cleaner opening and in hose. **If no blockage is found, continue to step 5.** If blockage is found, clear and continue to step 11.



5. Locate lower hose adapter on the back of the cleaner.
6. Remove lower hose adapter from rear of cleaner by lifting up and twisting.
7. Check for blockages in the hose and base hose. Flexing the hose may help loosen any blockage. **If no blockage is found, continue to step 8.** If blockage is found, clear and continue to step 11.



8. Remove hood from cleaner and check for a blockage in the brush roll area. Make sure the hose inlet is clear.
9. After the blockage is found and cleared, replace the hood on the cleaner.
10. Place lower hose adapter back into the base hose.
11. Install the upper hose adapter onto the back of the cleaner, line it up with the cleaner opening and push it against the cleaner until **both** tabs lock into place.

**NOTE: Turn off the switch and unplug the electrical cord before servicing.**

<b><u>PROBLEM</u></b>	<b><u>SOLUTION</u></b>
Motor will not start.	Push plug securely into outlet. Try another outlet. Check circuit breaker.
Motor suddenly stops.	Thermal Cut Off, see Page 6.
Does not clean the carpet or floor.	Clean or replace the filters: <b>Hint:</b> If picking up fine dust, the filters may <u>not</u> look dirty, but a fine substance tends to reduce suction when it blocks the airflow through the filters.  Be sure the dust cup is properly seated into the cleaner body. Page 10.  Empty dust cup. Page 10.  Be sure hose adapter is secure on back of cleaner. Page 15.  Check base hose and long hose. Page 15.  Replace a broken, cut, loose or out of shape belt.  Clean hair and thread from bristles and end cap area.  Replace brush roll if bristles are worn.
No suction at the end of hose.	Be sure hose adapter is secure. Page 15.  Clean or replace filters. <b>Hint:</b> If picking up fine dust, the filters may <u>not</u> look dirty, but a fine substance tends to reduce suction when it blocks the airflow through the filters.  Remove any clogs from the hose that restrict the airflow. Check base hose and long hose. Page 15.  Empty dust cup. Page 10.
Headlight not working.	Replace light bulb. Page 14.
Noise from brush roll area.	Remove hood and clean debris or items from the brush roll area.  Replace a broken, cut, loose or out of shape belt. Page 13.
Cleaner is hard to push.	Put handle in operating position. Tilt the cleaner back to raise the front wheels off floor. Then turn the knob to a higher setting.  Replace a broken, cut loose or out of shape belt. Page 13.
Cleaner height knob will not turn.	<b>Hint:</b> Put handle in operating position. Tilt the cleaner back to raise the front wheels off floor. Then turn the knob.
Dust cup will not go into cleaner properly.	Filter has to be installed in dust cup or dust cup will not go into cleaner.
Hood will not come off.	Hood cannot be removed from cleaner unless the cleaner height setting is in the lowest or highest position.  All three screws must be removed from the top of the hood. Page 13.
Missing parts.	Call 1-800-438-7352 between 8:00 a.m. and 4:45 p.m. (CST), Monday through Friday. Know the model and serial numbers when you call.
Questions?	Call 1-800-282-2886 between 7 a.m. to 8:00 p.m. (CST), Monday through Saturday. Know the model and serial numbers when you call.

## **THE EUREKA LIMITED WARRANTY**

### *What This Warranty Covers*

Your Eureka cleaner is warranted to be free from all defects in material and workmanship in normal household use for a period of one year. The warranty is granted only to the original purchaser and members of his or her immediate household. The warranty is subject to the following provisions.

### *What This Warranty Does Not Cover*

- Parts of the cleaner that require replacement under normal use, such as disposable dust bags, filters, drive belts, light bulbs, brush roll bristles, impellers and cleaning.
- Damages or malfunctions caused by negligence, abuse, or use not in accordance with the Owner's Guide.
- Defects or damages caused by unauthorized service or the use of other than Genuine Eureka parts.

### *What The Eureka Company Will Do*

The Eureka Company will, at its option, repair or replace a defective cleaner or cleaner part that is covered by this warranty. As a matter of warranty policy, the Eureka Company will not refund the consumer's purchase price.

### *Warranty Registration*

Please fill out and return the warranty registration card accompanying your cleaner.

### *Obtaining Warranty Service*

To obtain warranty service you must return the defective cleaner or cleaner part along with proof of purchase to any Eureka Authorized Warranty Station.

You will find the nearest location in the Yellow Pages, under "Vacuum Cleaners-Service and Repair." Be certain that the Warranty Station is "Eureka Authorized."

For the location of the nearest Eureka Authorized Warranty Station or for service information visit [www.eureka.com](http://www.eureka.com), or telephone toll free: USA: 1-800-282-2886, Mexico: 5670-6169, Canada: 1-800-282-2886.

If you prefer, you can write to The Eureka Company, Service Division, 807 North Main Street, Bloomington, Illinois 61701, USA. In Canada write to The Eureka Company, 866 Langs Drive, Cambridge, Ontario N3H 2N7.

If it is necessary to ship the cleaner outside your community to obtain warranty repair, you must pay the shipping charges to the Eureka Authorized Warranty Station.

Return shipping charges will be paid by the Warranty Station. When returning parts for repair, please include the model, type, and serial number from the data plate on the cleaner.

### *Further Limitations and Exclusions*

Any warranty that may be implied in connection with your purchase or use of the cleaner, including any warranty of Merchantability or any warranty for Fitness For A Particular Purpose is limited to the duration of this warranty. Some states do not allow limitations on how long an implied warranty lasts, so the above limitations may not apply to you.

Your relief for the breach of this warranty is limited to the relief expressly provided above.

In no event shall Eureka be liable for any consequential or incidental damages you may incur in connection with your purchase or use of the cleaner. Some states do not allow the exclusion or limitation of incidental or consequential damages, so the above limitation or exclusion may not apply to you.

This warranty gives you specific legal rights. You may also have other rights which vary by state.

### *Questions & Answers about Genuine Eureka Products*

**Q:** Why should I use only Genuine Eureka paper bags, belts, and parts in my Eureka vacuum cleaner?

**A:** **Using Genuine Eureka Products, which are made to our exacting specifications and engineered with emphasis on quality, performance, and customer satisfaction, ensures the long life and cleaning efficiency of your vacuum cleaner.**

**Q:** How can I be sure I am using only genuine Eureka products in my vacuum cleaner?

**A:** **Typically, packaged products and paper bags are labeled "Genuine Eureka Product".**

**Q:** Are there any differences between "made to fit" or "imitation" and Genuine Eureka paper bags, belts, and parts?

**A:** **Yes, there are some very important differences in materials, quality, and reliability.**

**For Genuine Eureka Value, Accept No Imitations!**

**THE EUREKA COMPANY**

Bloomington, Illinois 61701